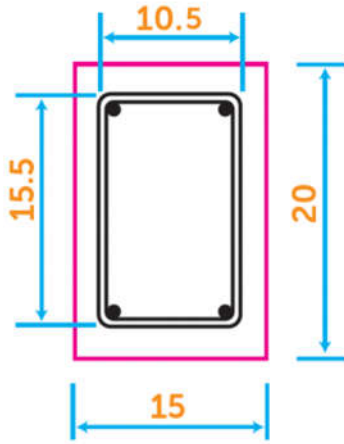


# Castillo

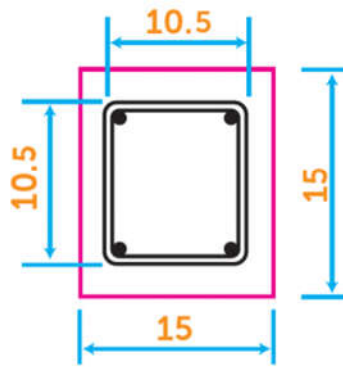


Diseño	Varillas longitudinales corrugadas		Estribillos lisos cada 15.8 cm		Sección de concreto	Sección de castillo	Peso teórico
	Diámetro mm	Grado	Diámetro mm	Grado	Cm	Cm	Kg/pza
15-15-4	6.00	60	4.1	50	15 x 15	10.5 x 10.5	6.91
15-20-4	6.00	60	4.1	50	15 x 20	10.5 x 15.5	7.29
15-25-4	6.00	60	4.1	50	15 x 25	10.5 x 20.6	7.66
15-30-4	6.00	60	4.1	50	15 x 30	10.5 x 25.7	8.04
esc-10-2	3.43	60	3.4	50	10	7.0	0.49
esc-12-2	3.43	60	3.4	50	12	9.0	0.51
esc-15-2	3.43	60	3.4	50	15	12.0	0.53
12-12-4	5.60	60	4.1	50	12 x 12	7.9 x 7.9	6.02
12-20-4	5.60	60	4.1	50	12 x 20	7.9 x 15.5	6.58
12-12-3	5.60	60	4.1	50	12 x 12	7.9 x 7.9	4.58
15-15-3	6.00	60	4.1	50	15 x 15	10.5 x 10.5	5.25
15-15-4	7.94	60	5.72	50	15 x 15	11 x 11	12.32
15-20-4	7.94	60	5.72	50	15 x 20	11 x 16	12.93
15-25-4	7.94	60	5.72	50	15 x 25	11 x 21	13.53
15-30-4	7.94	60	5.72	50	15 x 30	11 x 26	14.13
15-15-4	9.00	60	5.72	50	15 x 15	11 x 11	14.99
15-20-4	9.00	60	5.72	50	15 x 20	11 x 16	15.59
15-25-4	9.00	60	5.72	50	15 x 25	11 x 21	16.19
15-30-4	9.00	60	5.72	50	15 x 30	11 x 26	16.80

CASTILLO 15-20-4



CASTILLO 15-15-4



CASTILLO 15-15-3

